

ALEX-14W DIE-CAST ALUMINUM BODY DOWNLIGHT

TECHNICAL SHEET
KL-SP00088



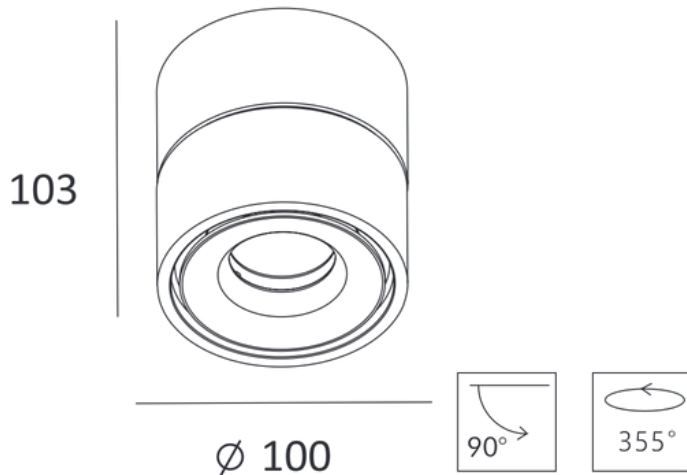
KEYLIGHT

SPAIN

PRODUCTOS DE ILUMINACION

FEATURES

- 220-240V
- CE ROHS Certified
- Die-cast Aluminum
- 3-years warranty



SPECIFICATIONS

| | |
|-------------------|-------------------|
| Product Code | KL-SP00088 |
| Power | 14W |
| Input | 220-240V |
| Color Temperature | 3000K/4000K/6000K |
| LED Chip | CREE |
| Driver | PHILIPS |
| Luminous Flux | 870 lm |
| Beam Angle | 15°/25°/38°/60° |
| CRI | 80/90 |
| Material | DIE-Cast-Aluminum |
| Body Color | Black/White |
| IP Rating | IP 20 |
| Dimensions | ∅100mm*103mm |
| Rotation | 90°&355° |
| Warranty | 3 years |



RoHS

IP20

